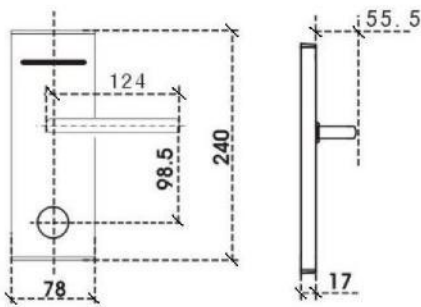


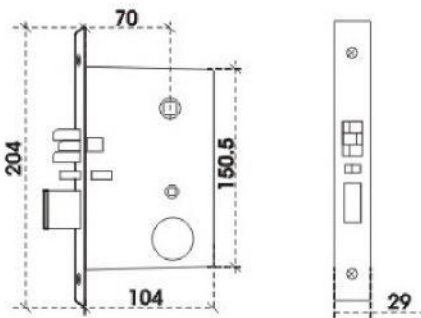
<b>Model No.</b>	<b>2036AC</b>	<b>Technical Specification</b>
<b>PCB Model No.</b>	<b>20AC-ZJ2C</b>	



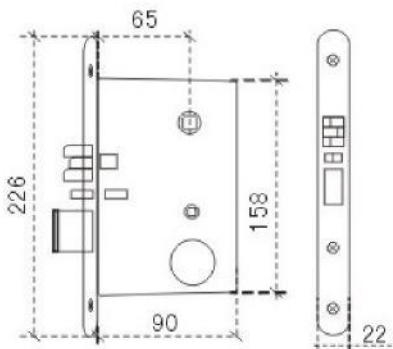
Picture is just for reference



Front Panel



ANSI Mortise



Euro Mortise

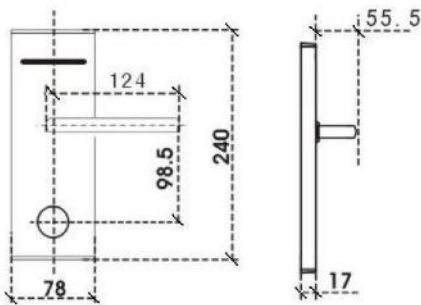
- **Suited Door Thickness** : 1.57” -1.968”
- **Surface Finish** : Stainless Steel, Brass
- **Features**
  - **Software Version:** BTlock5.3.4.C,
  - **Using Card Type:** Magnetic Card and IC Card [ SIEMENS SLE4442(SLE5542)Card ATMEL AT24C64 Card ]
  - **Function Card:** System Password Card, Lock Setting Card, Time Card, Check-Out Card, Locking Card, Authorizing Card, Master Card, Emergency Card, Query Card, Terminating Card, Reset SN Card, Passage Card.
  - **Unlocking Card:** Emergency Card, Master Card, Guest Card, Staff Card, Security Card.
  - **Security Card:** Unlocking card for security officer, can store access record into the card.
  - **Query Card:** Audit Trail Access Records and lock setting information from the lock.
  - **Terminating Card:** Can Terminate any Unlocking Card issued by the same system.
  - **Emergency Card, Master Card:** The only card can open double lock and will not limited by time validity.
  - **Storage Capacity:** Default Setting 50 Staff Card, 255 Guest Card, 100 pcs black list space 447pcs Access Records; Suite Door Setting is available, at most setup 8 sub-room; at most setup 16 common door.
  - **Mortise Features:** Mechanical Double Lock function available, both Emergency Card and Master Card can open double lock; Staff Card and Security Card can not open Double Lock unless choose open double lock function while issuing cards; Latch Pressed alarm function available, if door lock have not well-close, latch detecting switch will switch on, alarm in 3 seconds, in order remind guest or hotel staff well-close the door lock.
  - **Low Voltage Indication:** Alarm will on and red and green light will flash alternately while unlocking in low voltage status, in order to remind user replace battery.
  - Mechanical Key Override while emergency.
  - ANSI And Euro Mortise For Option.
- **Parameter**
  - **Working Voltage:** DC4.2-6.4V 4 X AA alkaline battery
  - **Static Current:** ≤30uA
  - **Dynamic Current:** ≤350mA
  - **Alarm Voltage:** 4.2±0.2V
  - **Working Temperature:** -10°C-55°C
  - **Working Humidity:** 20%-93% RH
  - **Net Weight:** 2.7 Kg
  - **Opening Time:** 4.6S
  - **Whole Lock Operating Life:** 200,000 times
  - **Continuously Operating Battery Life:** 10,000 times, Still can operate 100 times while in low voltage status.
  - **Packing Details:** One lock in one inner box, 10 inner boxes packed into one carton.

<b>Model No.</b>	<b>2036AC</b>
<b>PCB Model No.</b>	<b>20AC-ZJ2C</b>

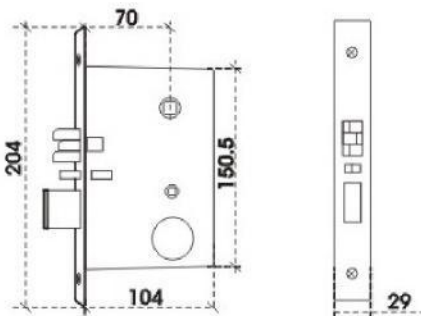
## Technical Specification



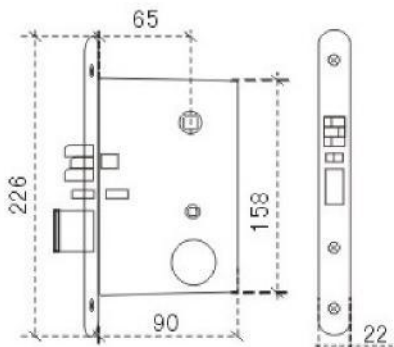
Picture is just for reference



Front Panel



ANSI Mortise



Euro Mortise

- **Suited Door Thickness** : 40mm-50mm
- **Surface Finish** : Stainless Steel, Brass
- **Features**
  - **Software Version:** BTlock5.3.4C,
  - **Using Card Type:** Magnetic Card and IC Card [ SIEMENS SLE4442(SLE5542)Card ATMEL AT24C64 Card ]
  - **Function Card:** System Password Card, Lock Setting Card, Time Card, Check-Out Card, Locking Card, Authorizing Card, Master Card, Emergency Card, Query Card, Terminating Card, Reset SN Card, Passage Card.
  - **Unlocking Card:** Emergency Card, Master Card, Guest Card, Staff Card, Security Card.
  - **Security Card:** Unlocking card for security officer, can store access record into the card.
  - **Query Card:** Audit Trail Access Records and lock setting information from the lock.
  - **Terminating Card:** Can Terminate any Unlocking Card issued by the same system.
  - **Emergency Card, Master Card:** The only card can open double lock and will not limited by time validity.
  - **Storage Capacity:** Default Setting 50 Staff Card, 255 Guest Card, 100 pcs black list space 447 pcs Access Records; Suite Door Setting is available, at most setup 8 sub-room; at most setup 16 common door.
  - **Mortise Features:** Mechanical Double Lock function available, both Emergency Card and Master Card can open double lock; Staff Card and Security Card can not open Double Lock unless choose open double lock function while issuing cards; Latch Pressed alarm function available, if door lock have not well-close, latch detecting switch will switch on, alarm in 3 seconds, in order remind guest or hotel staff well-close the door lock.
  - **Low Voltage Indication:** Alarm will on and red and green light will flash alternately while unlocking in low voltage status, in order to remind user replace battery.
  - Mechanical Key Override while emergency.
  - ANSI And Euro Mortise For Option.
- **Parameter**
  - **Working Voltage:** DC4.2-6.4V 4 X AA alkaline battery
  - **Static Current:**  $\leq 30\mu A$
  - **Dynamic Current:**  $\leq 350mA$
  - **Alarm Voltage:**  $4.2 \pm 0.2V$
  - **Working Temperature:**  $-10^{\circ}C-55^{\circ}C$
  - **Working Humidity:** 20%-93% RH
  - **Net Weight:** 2.7 Kg
  - **Opening Time:** 4.6S
  - **Whole Lock Operating Life:** 200,000 times
  - **Continuously Operating Battery Life:** 10,000 times, Still can operate 100 times while in low voltage status.
  - **Packing Details:** One lock in one inner box, 10 inner boxes packed into one carton.