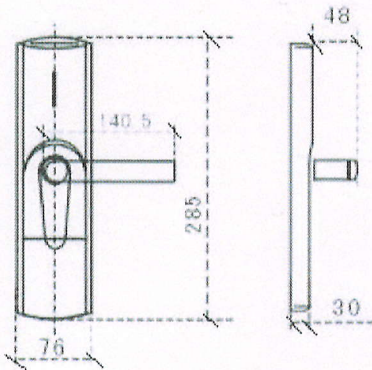
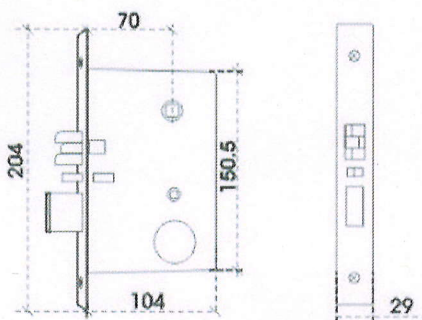




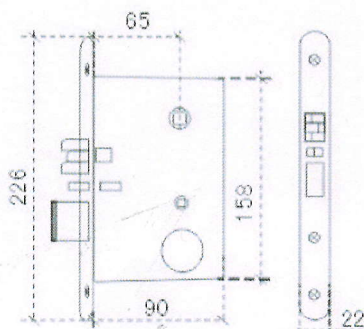
Picture is just for reference



Front Panel



ANSI Mortise



Euro Mortise

- **Suited Door Thickness :** 1.5" – 2.0" inches
- **Surface Finish: Stainless Steel & Satin Brass**
- **Features**
  - **Software Version: BT 5.7C**
  - **Card Type: Mifare S50 & S70**
  - **Function Cards:** System Password Card, Lock Setting Card, Time Card, Check Out Card, Locking Card, Authorizing Card, Query Card, Terminating Card, Reset SN Card, Passage Card.
  - **Unlocking Cards:** Emergency Card, Master Card, Guest Card, Staff Card, Security Card.
  - **Security Card:** Unlocking card for security officer, also stores access records on the card & overrides deadbolt.
  - **Query Card:** Accesses Audit Trail from the lock and provides time setting information for the lock.
  - **Terminating Card:** Can Terminate any Unlocking Card issued by the same system.
  - **Emergency Card, Master Card:** The only cards that can open a double lock and is not limited by time validity.
  - **Storage Capacity:** 250 Staff Cards, 255 Guest Cards, 447 most recent access records; Suite Door Setting is available, with 8 sub-rooms; within each suite.
  - **Mortise Features:** The mechanical lock mechanism is a steel case mortise lock, which installs into a standard mortise lock door preparation. Latching is by a 3/4" latch-bolt. The deadbolt has a 1" throw. (Maid's locks do not have a deadbolt.). The outside knob (or lever) is rigid unless activated by a valid card. The inside lever is always active and simultaneously withdraws both latch bolt and deadbolt. The lock is equipped with a standard, mechanical key override.
  - **Low Voltage Indication:** Alarm will sound, and red and green lights will flash alternately when batteries are low alerting the user or staff to replace batteries.
  - Mechanical Key Override for emergency entry.
  - ANSI and Euro Mortises are Optional.
- **Parameter**
  - **Working Voltage: 6 VDC – 4 AA** alkaline batteries
  - **Static Current:** ≤30uA
  - **Dynamic Current:** ≤350mA
  - **Alarm Voltage:** 4.2±0.2V
  - **Working Temperature:** -10°C -55°C
  - **Working Humidity:** 20% -93% RH
  - **Net Weight: 6 lb**
  - **Opening Time: 4 – 6 sec.**
  - **Diminsions:** 9 3/4" Height X 3" Width
  - **Continuously Operating Battery Life:** 10,000 entry operations, Still can operate 100 times while in low voltage status.
  - **Packing Details:** One lock in one inner box, 10 inner boxes packed into one carton.